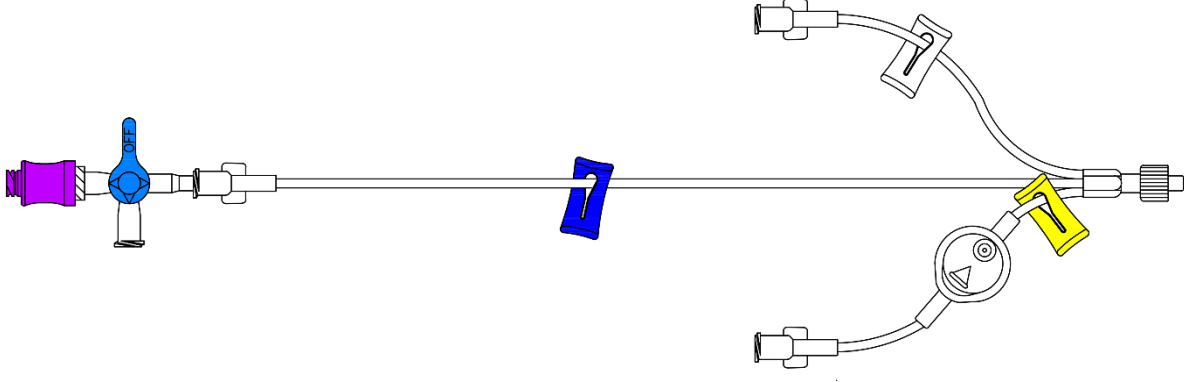


## Catalog No. HR-004

 <p><b>62" ClosedCare I.V. System – Trifurcated Syringe Pump Flushing Set</b> Needleless Valve, 4-Way Largebore Stopcock, Female Luer Lock, Non-removable Slide Clamps (yellow, blue, white), 0.2 Micron Filter, Rotating Male Luer Lock</p>	<p><b>Approx. Priming Vol. 1.30 mL</b></p>
	<p><b>50 EA Per Box</b></p>

### PRODUCT FEATURES & BENEFITS:

- **DESIGNED AS A CLOSED IV SYSTEM TO BE USED WHEN DELIVERING TPN AND MEDICATION.**
  - Pre-connect a 10-cc flushing syringe to open port of stopcock and flush medication line. Flush remaining lines then connect to patient. Keep this connected for the duration of use of set.
  - Connect medication syringe to needleless valve. Program syringe pump to deliver medication.
  - Once medication is delivered, turn off stopcock to patient and then draw flush (0.8 ml to 1 mL) from flush syringe.
  - Reopen stopcock toward patient. Program syringe pump to dispense drawn flush to patient to complete infusion.
- **COST SAVINGS – REDUCE THE NUMBER OF FLUSH SYRINGES USED DURING PATIENT CARE**
- **REDUCE THE NUMBER OF CONNECTIONS WHEN SETTING UP FOR DELIVERING MEDICATION VIA IV INFUSION.**
  - Less valve activations means less chance of infection
- **INLINE 0.2 MICRO IV FILTER**
  - Inline 0.2 Micro IV filter integrated into set with distinct outer white housing
  - Minimal priming volume required on filter component at 0.4 mL
  - Hydrophilic and low-protein binding
  - Recommended change of filter set every 72 hours
- **MEDSAFE SET – DESIGNED SPECIFICALLY TO MEET THE CHALLENGES OF DRUG DELIVERY IN NEONATES**
  - Minimal dead space – The MedSafe connector minimizes potential drug incompatibility in the fluid path, with the shortest common fluid juncture available today.
  - Small volume medication delivery and minimizes pooling of medication in the line, ensuring the patient is receiving the medication as administered
  - Reduced Chance of Infection - Sets are pre-assembled and patient ready, minimizing the need for additional sets, thereby reducing the risk of infection by touch contamination
- **LOW PRIMING VOLUMES AND LIGHTWEIGHT**
  - Blue clamp medication uses microbore tubing for minimal priming volume
- **COLOR CODED – SLIDE CLAMPS ARE DIFFERENT COLORS FOR EASY, AT A GLANCE, LINE IDENTIFICATION**
- **NON-DEHP AND LATEX FREE**